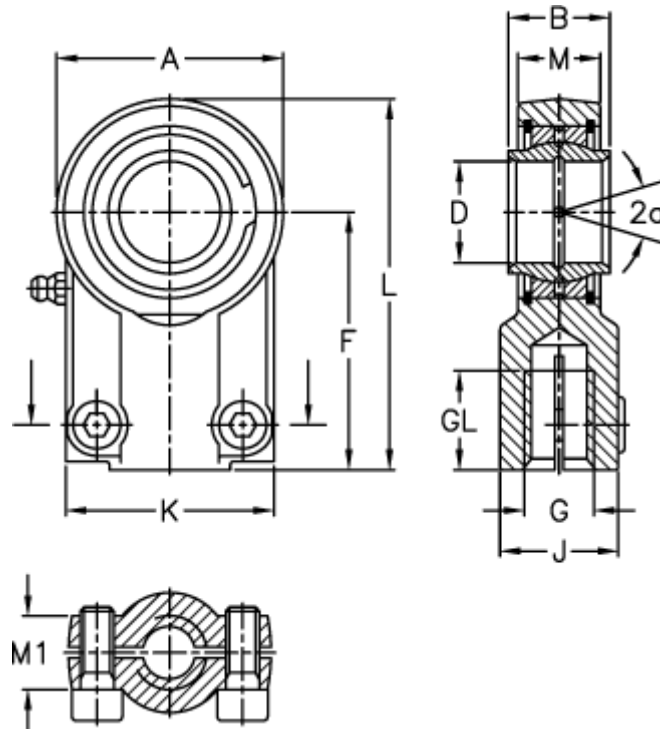


Article number: 03551063

Description: Fluro hydraulic rod end FPR 63CE

## Measures



A	= 132	J	= 70
a (degrees)	= 4	K	= 114
B	= 63	L	= 211.6
D	= 63	M	= 53
Dynamic load C (kN)	= 255	M1	= 38
F	= 140	Static load C0 (kN)	= 430
g	= M48x2	Torque (N m)	= 210
GL	= 64	Weight	= 7600